

Rev.	Sym.	Q'TY	ICN/ECN NO	Changed by	Date
VI_0			the first release	Chen Shuai	2024-04-24

COMPANY CONFIDENTIAL

A

B

C

D

E

F

A

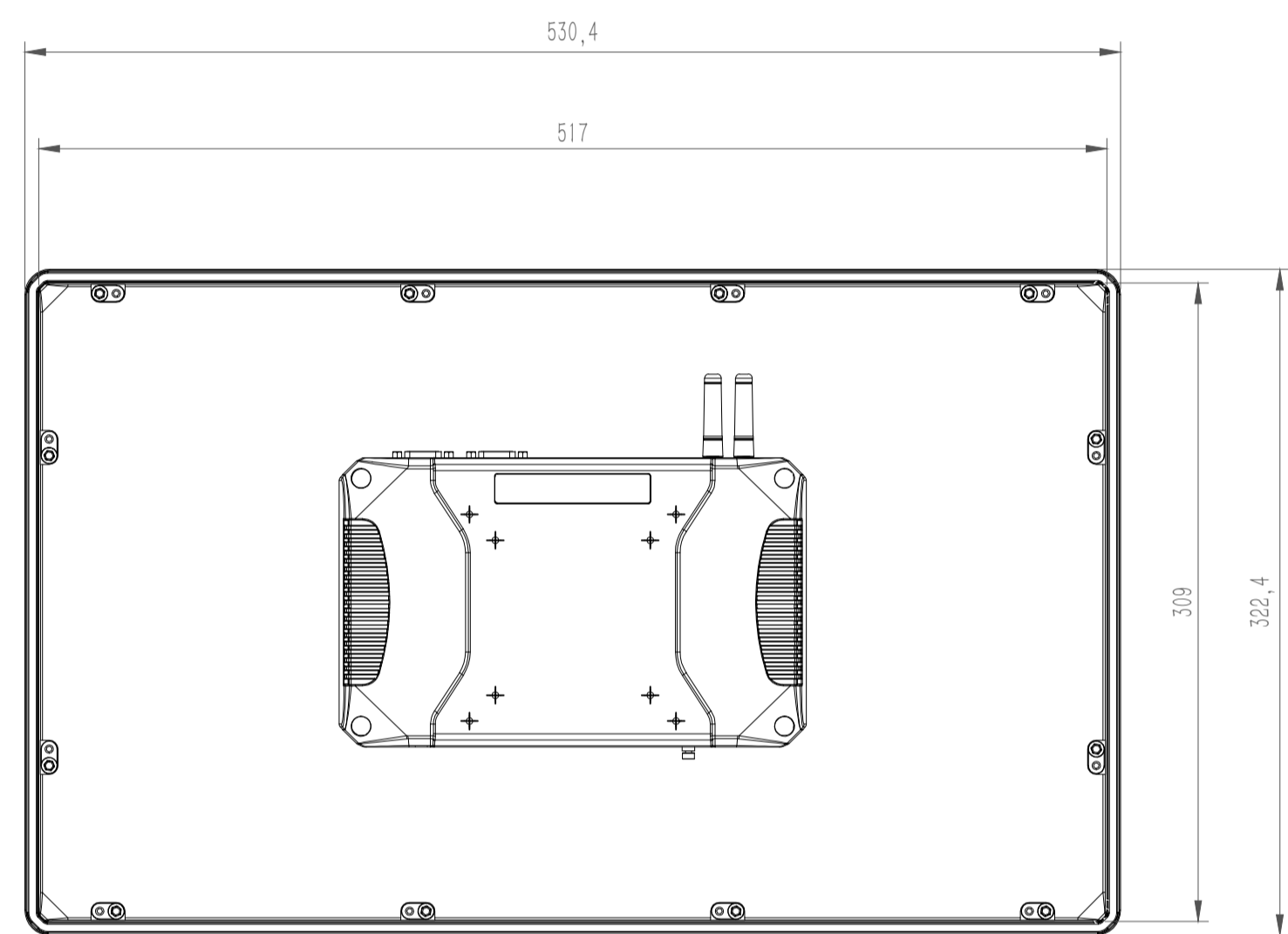
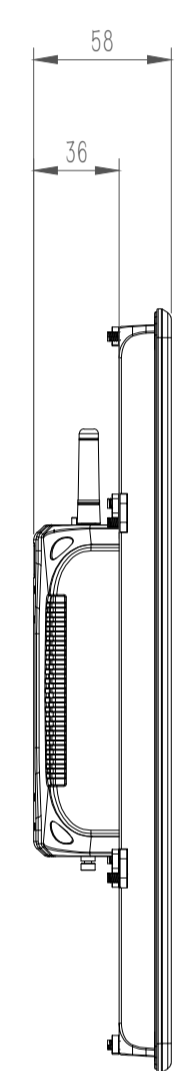
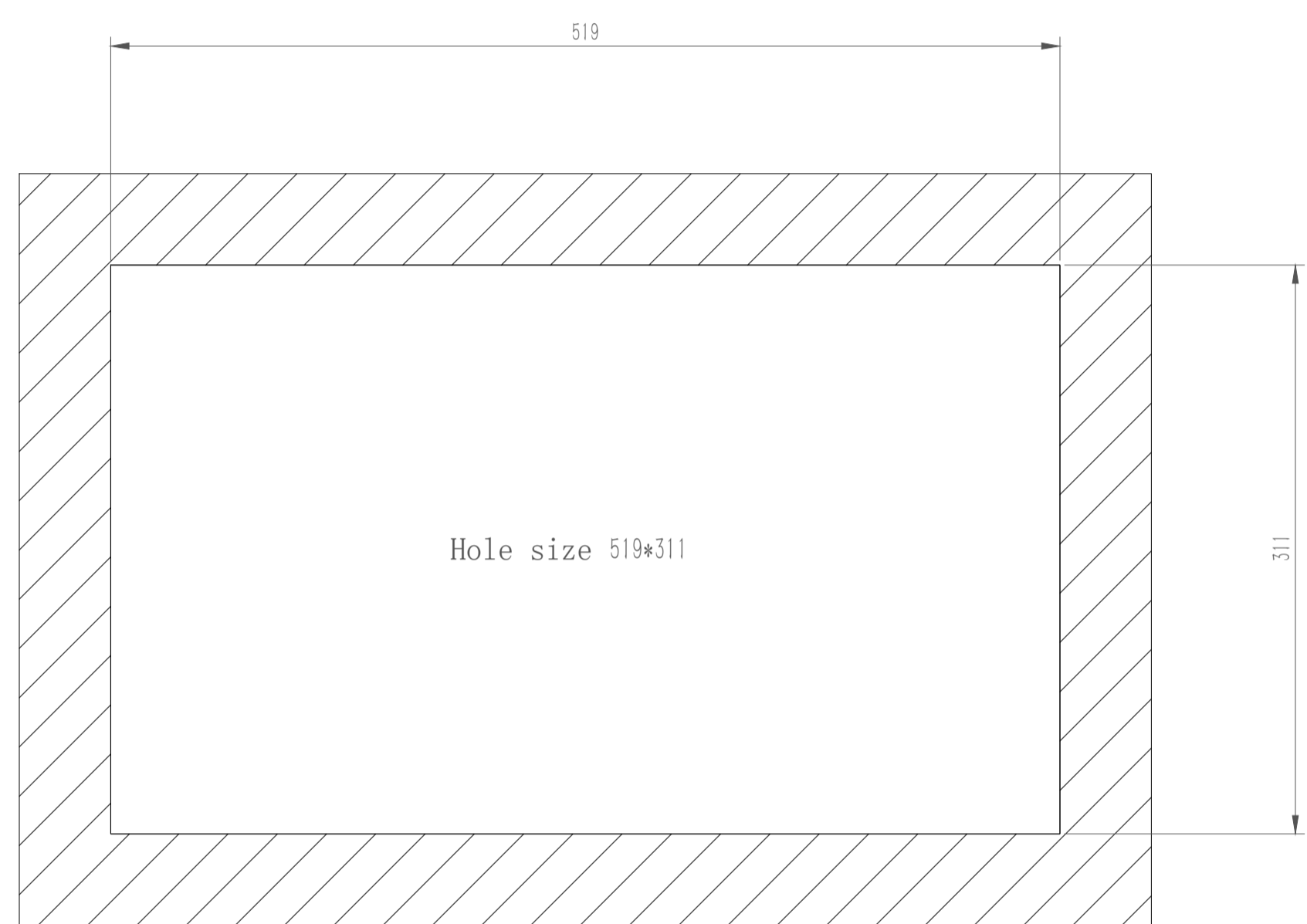
B

C

D

E

F



	<b>PANELMATE</b> Creative HMI Solution		Project Name :		Part Name		
	Design	Chen Shuai	2024-04-24	Part No			
	Check			Material	See Notes	Size: A0	Scale: 1:1
Approve				Process	See Notes	Unit: mm	Sheet: 1 of 1

1 2 3 4 5 6 7 8